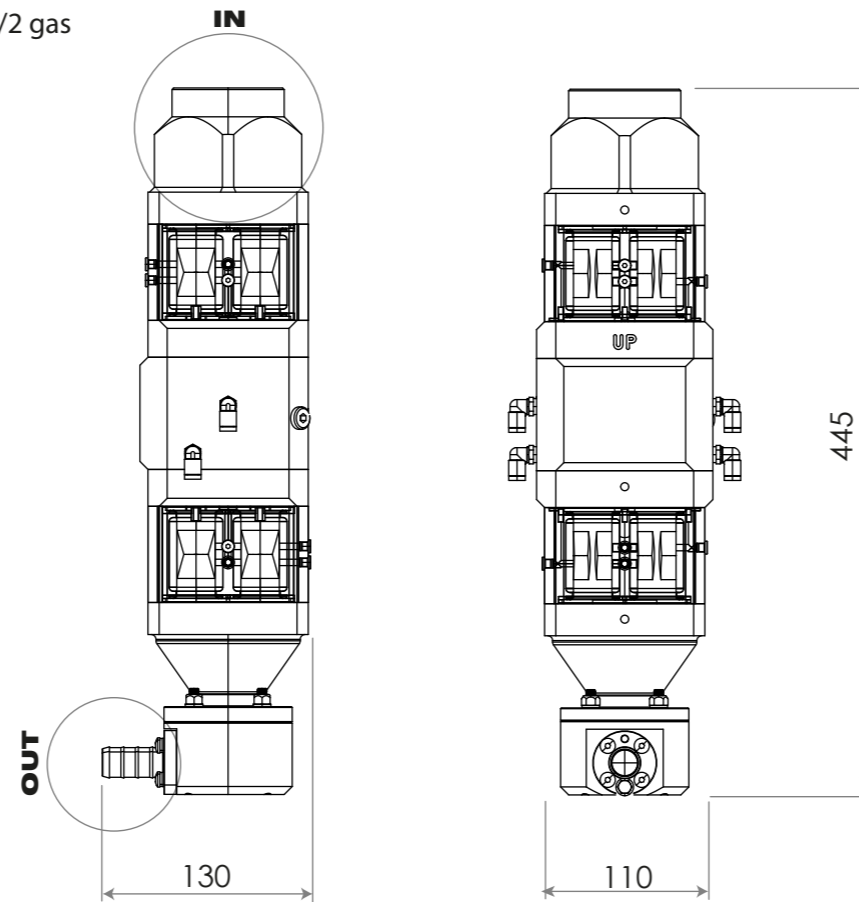
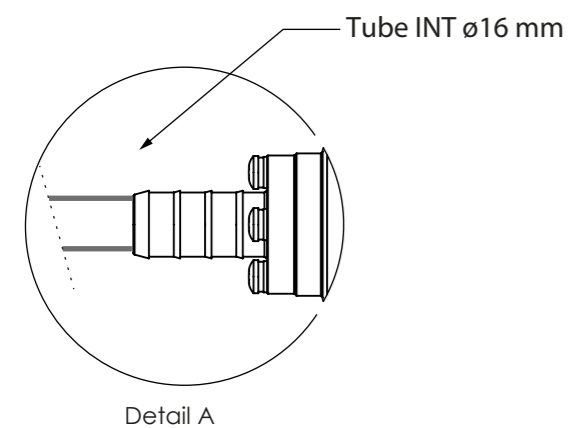
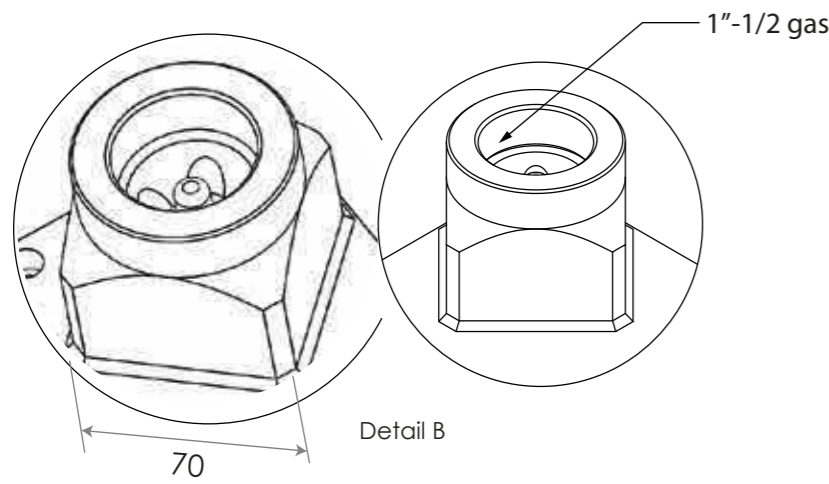
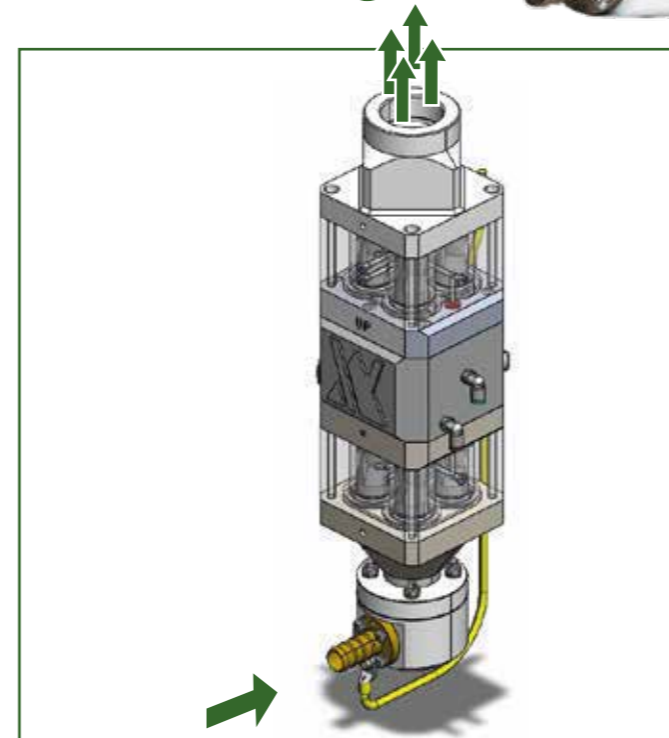
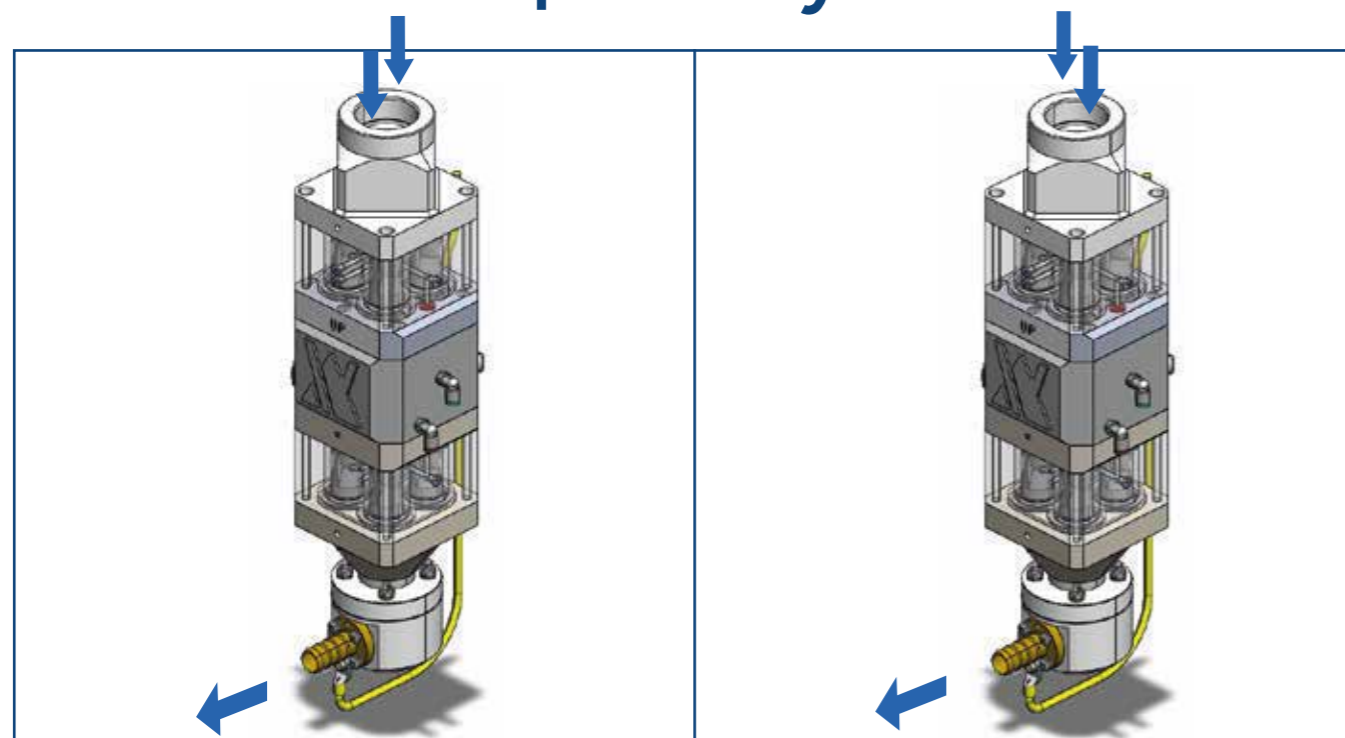


NEA 120 - PERISTALTIC DENSE PUMP



Dense transport cycle

Cleaning



Technical Data

| |
|---|
| ENTIRELY PNEUMATIC SYSTEM, WITHOUT ELECTRIC SUPPLY |
| FLOW RATE: UP TO MAX 100Kg/h |
| TRANSPORT TUBE : UP TO MAX 20 mt. |
| SUPPLY : 6 bar |
| CE Ex II 3 D c T6 |



VERNE TECHNOLOGY S.r.l.
 Via Montenapoleone, 8
 20121 Milano (MI) Italy
 Tel +39.02.783275
 Fax +39.02.784087
 www.vernetechnology.it
 info@vernetechnology.it