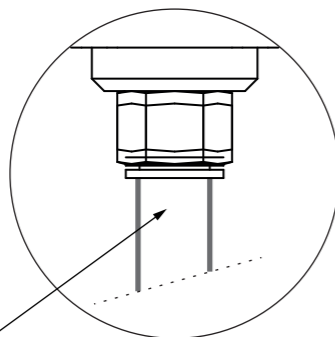
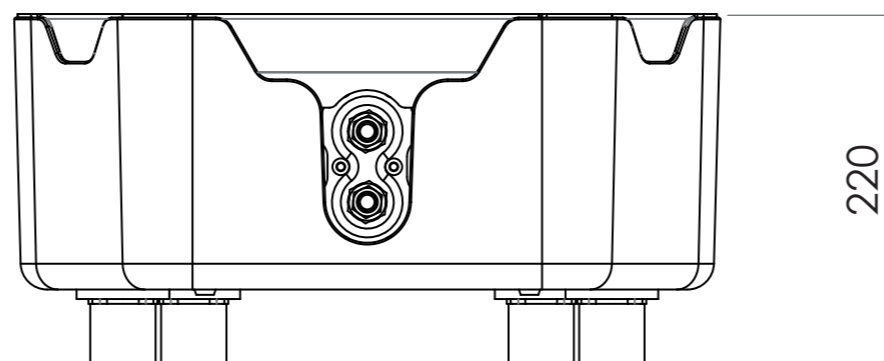
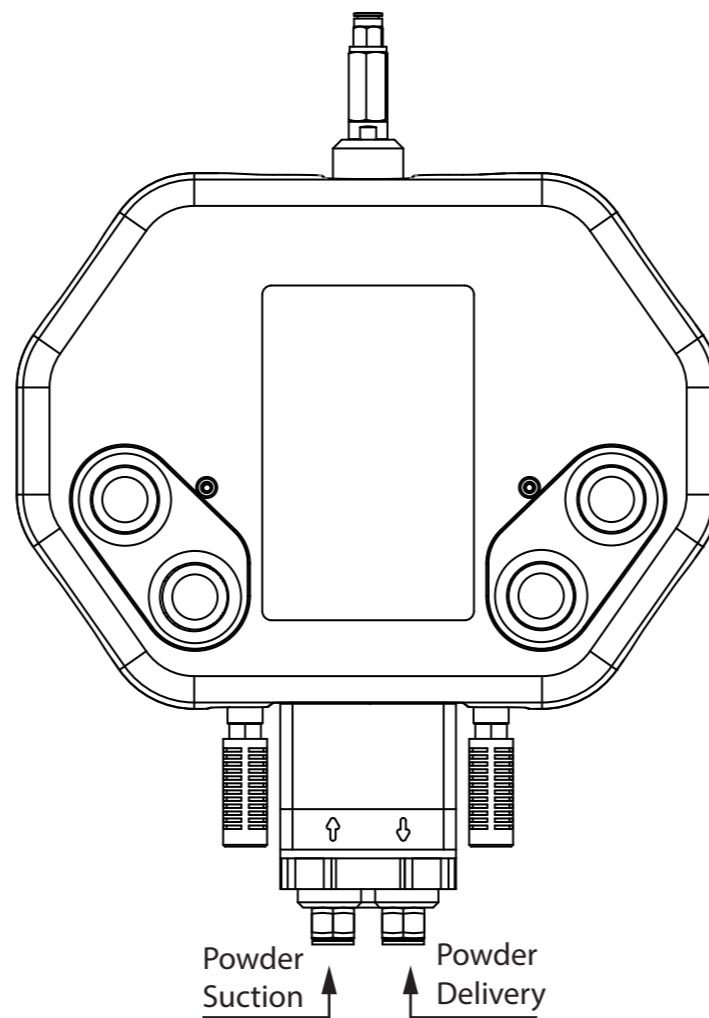
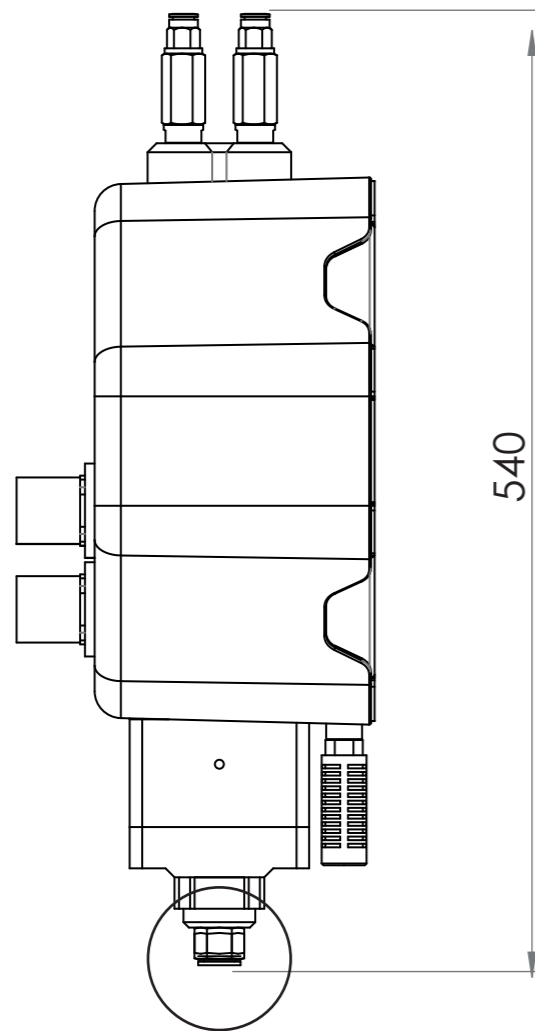
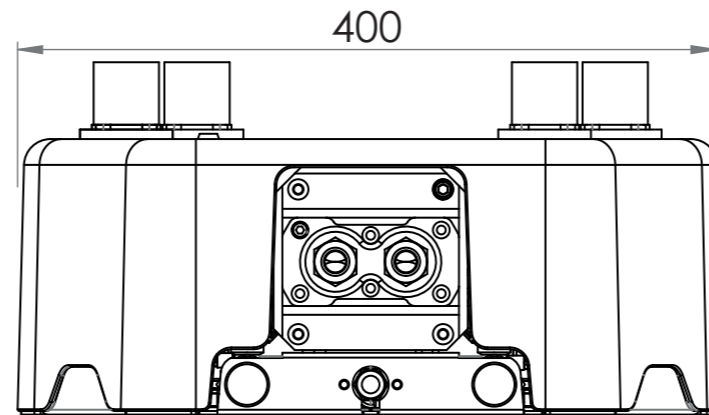


NEA 430-II



Tube $\varnothing 12$



Technical Data

ENTIRELY PNEUMATIC SYSTEM, WITHOUT ELECTRIC SUPPLY

FLOW RATE: UP TO MAX 4 Kg/min

ASPIRATION TUBE : UP TO MAX 3,5 mt.

TRANSPORT TUBE : UP TO MAX 30 mt.

SELF CLEANING : INCLUDED

SUPPLY : 6 bar

CE Ex II 3 D c T6

VERNE
TECHNOLOGY

VERNE TECHNOLOGY S.r.l.
Via Montenapoleone, 8
20121 Milano (MI) Italy
Tel +39.02.783275
Fax +39.02.784087
www.vernetechnology.it
info@vernetechnology.it