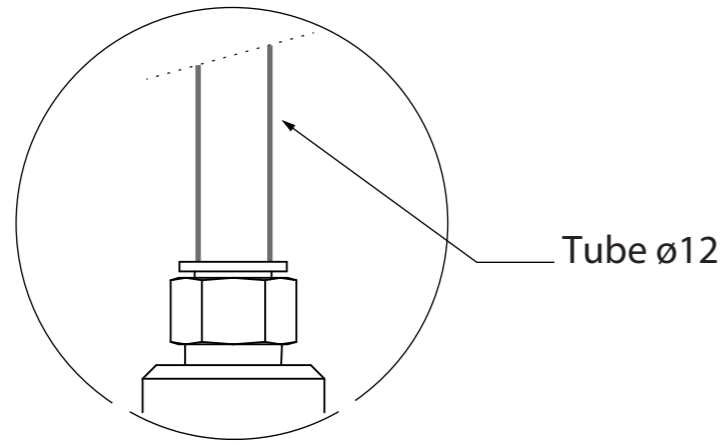
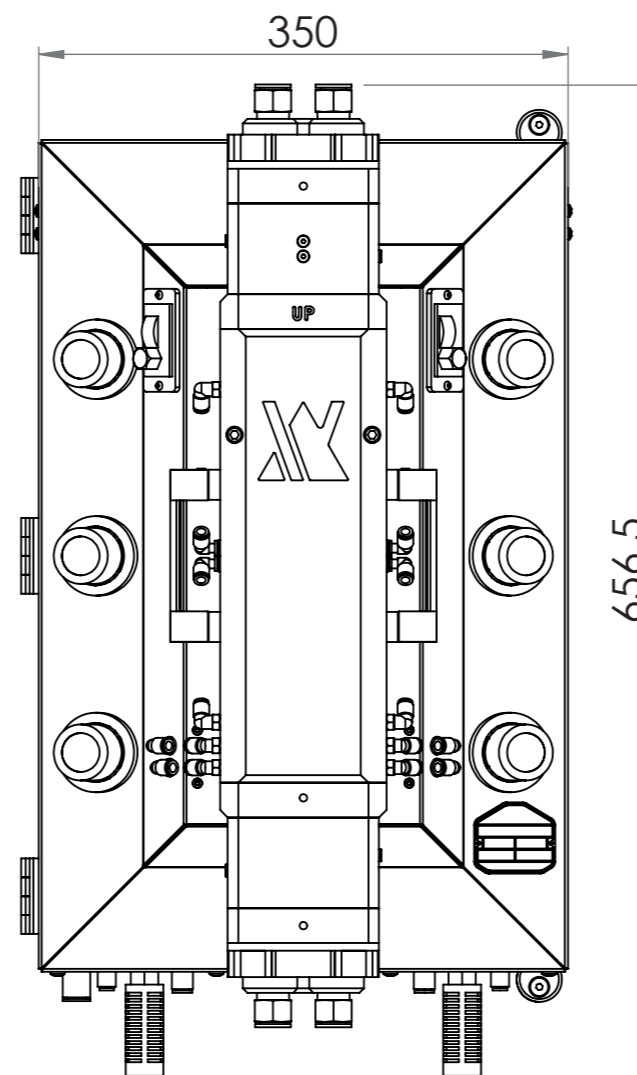
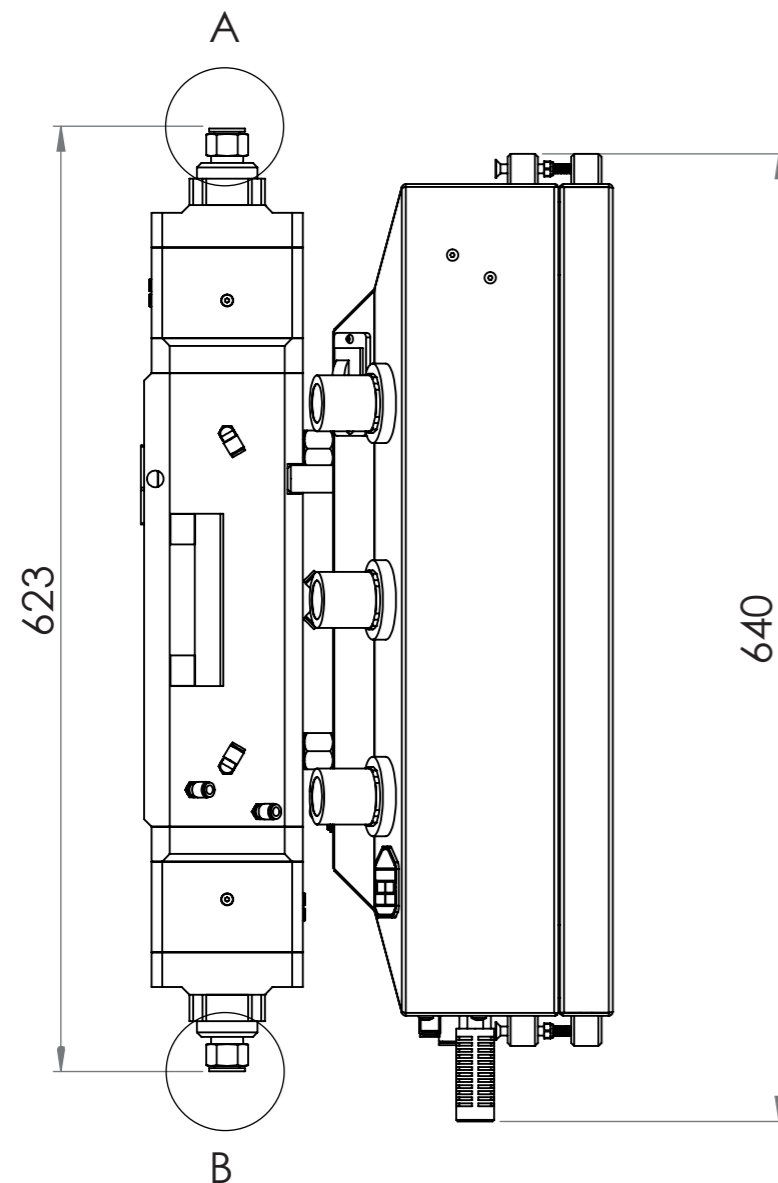
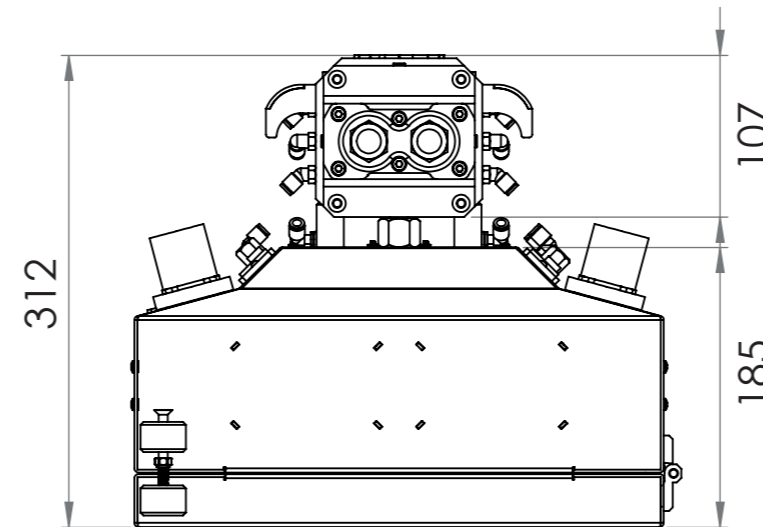


# NEA 442-DUAL



Detail A - B



## Technical Data

<b>ENTIRELY PNEUMATIC SYSTEM, WITHOUT ELECTRIC SUPPLY</b>
<b>FLOW RATE FOR EACH TUBE: UP TO MAX 4 Kg/min</b>
<b>ASPIRATION TUBE: UP TO MAX 6 mt.</b>
<b>TRANSPORT TUBE: UP TO MAX 30 mt.</b>
<b>LEFT TUBE TRANSPORT: INDIPENDENT ON OFF</b>
<b>RIGHT TUBE TRANSPORT: INDIPENDENT ON OFF</b>
<b>LEFT TUBE SELF CLEANING: INDIPENDENT ON OFF</b>
<b>RIGHT TUBE SELF CLEANING: INDIPENDENT ON OFF</b>
<b>SUPPLY: 6 bar</b>
<b>CE Ex II 3 D c T6</b>



**VERNE TECHNOLOGY S.r.l.**  
 Via Montenapoleone, 8  
 2021 Milano (MI) Italy  
 Tel +39.02.783275  
 Fax +39.02.784087  
 www.vernetechnology.it  
 info@vernetechnology.it